

Installation Manual

LED Street Ultimate

Application

LED Street Ultimate lighting fixture is suitable for:

- > urban and residential streets
- > bridges
- > car parks
- > areal lighting



Electrical characteristics

Supply voltage range	90-305VAC
Frequency	50/60 Hz
Power factor	≥0.95
Control Protocol(s)	1-10V, Photocell (optional)
LED driver	Constant current (CC)
Socket	Zhaga (optional)
NEMA 3/5/7-pin (optional)	

Protection

Ingress protection	IP 66
IK Rating	IK 08
Safety class	Class I
Surge protection	L-N:10KV: L/N-GND:10KV (optional)
Recommended usage	Electrostart SPD 10/20kV for countries with lots of lightning/thundering

Body characteristics

Body material	Die-casting aluminum alloy
Color	RAL 7040
Optic material	Polycarbonate (PC)
Protector	Glass
Mounting hole diameter	60/70 mm
Angle of movement	168°-192°

Lighting characteristics

Efficiency	up to 160 lm/W
Energy efficiency class	B
Color rendering index (CRI)	>70, >80 on request
Color temperature (CCT)	3000K/4000K/5000K/6500K
LEDs	LED SMD3030
Beam angle lens options	T2-65°x145° – 44°x155° T3-70°x150° – 80°x150° T4-85°x160° – 80°x160°

Warranty conditions

Lifespan of the LEDs @ Ta 25°	L70B10 -> 100 000h L80B10 -> 50 000h L90B10 -> 30 000h
Warranty	5 Y/7 Y (optional)
Operating temperature	-35 - 50°C
Storage temperature	-20 - 60°C

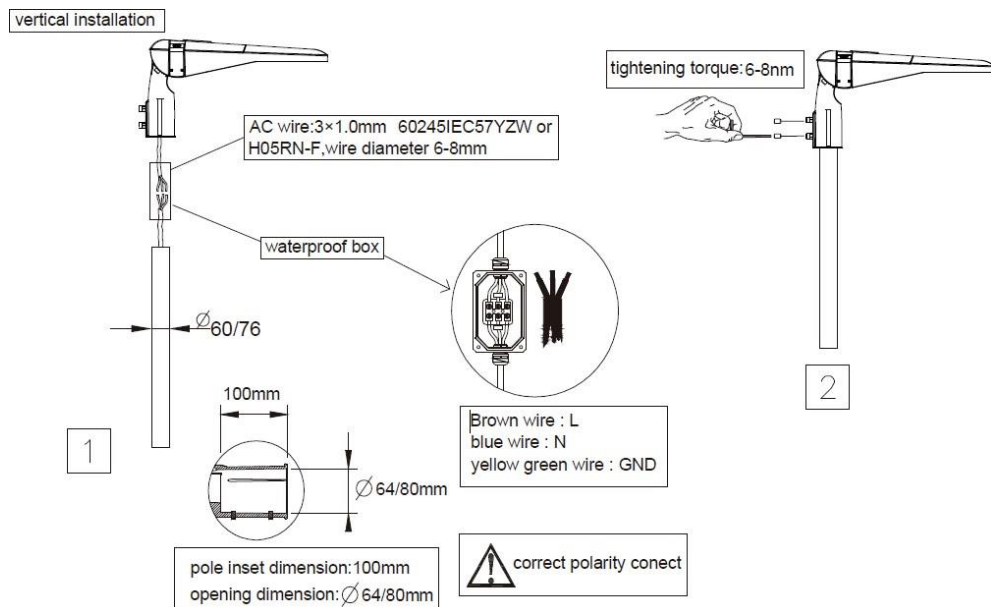
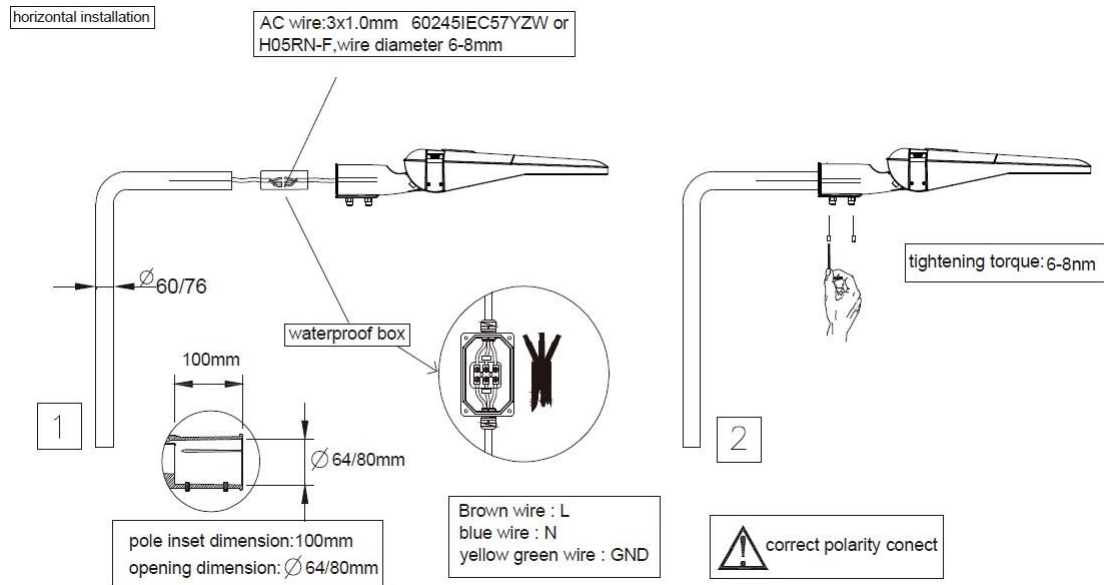
Standards

Harmonics	EN 61000-3-2 Class C <20%
EMC Immunity	EN 61547
Conducted Emission Test	EN 55015
Luminaires	EN 60598-1
LED Luminaire performance	EN 62722-2-1
Photobiological safety	EN 62471

Product	Rated Power	Luminous Flux	CRI	CCT	Efficiency	Optics	Material of Body
LED Street Ultimate 20W	20W	3 200 lm	>70	3000K/4000K/5000K/6500K	160lm/W	T2/T3/T4	Die-casting aluminum
LED Street Ultimate 30W	30W	4 800 lm	>70	3000K/4000K/5000K/6500K	160lm/W	T2/T3/T4	Die-casting aluminum
LED Street Ultimate 40W	40W	6 400 lm	>70	3000K/4000K/5000K/6500K	160lm/W	T2/T3/T4	Die-casting aluminum
LED Street Ultimate 50W	50W	8 000 lm	>70	3000K/4000K/5000K/6500K	160lm/W	T2/T3/T4	Die-casting aluminum
LED Street Ultimate 60W	60W	9 600 lm	>70	3000K/4000K/5000K/6500K	160lm/W	T2/T3/T4	Die-casting aluminum
LED Street Ultimate 70W	70W	11 200 lm	>70	3000K/4000K/5000K/6500K	160lm/W	T2/T3/T4	Die-casting aluminum
LED Street Ultimate 80W	80W	12 800 lm	>70	3000K/4000K/5000K/6500K	160lm/W	T2/T3/T4	Die-casting aluminum
LED Street Ultimate 100W	100W	16 000 lm	>70	3000K/4000K/5000K/6500K	160lm/W	T2/T3/T4	Die-casting aluminum
LED Street Ultimate 150W	150W	24 000 lm	>70	3000K/4000K/5000K/6500K	160lm/W	T2/T3/T4	Die-casting aluminum
LED Street Ultimate 200W	200W	32 000 lm	>70	3000K/4000K/5000K/6500K	160lm/W	T2/T3/T4	Die-casting aluminum
LED Street Ultimate 240W	240W	38 400 lm	>70	3000K/4000K/5000K/6500K	160lm/W	T2/T3/T4	Die-casting aluminum

LED'S START UP THE LIGHT

<p style="text-align: center;">Headquarters Electrostart JSCo Bulgaria, Sofia 1404, 81, Bulgaria blvd. City General Business Center, building 2, floor 3, office 6 tel: +359 2 400 77 71, fax: +359 2 400 77 84</p>	<p style="text-align: center;">Registered office and factory Electrostart JSCo Bulgaria, Varshets 3540 2 Republika blvd tel: +359 2 400 70 11, fax: +359 2 400 70 12</p>
--	---



1. The luminaire shall be installed by a qualified electrician and wired in accordance with the latest IEE electrical regulations or the national requirements.
2. No supplied water-proof box, installation should be advised by qualified professional.
3. Do not switch on before complete installation.
4. If the external flexible cable or cord of this luminaire is damaged, it shall be exclusively replaced by the manufacturer or his service agent or a similar qualified person in order to avoid a hazard.
5. The light source contained in this luminaire shall only be replaced by the manufacturer or his service agent or a similar qualified person.

LED'S START UP THE LIGHT

<p>Headquarters Electrostart JSCo Bulgaria, Sofia 1404, 81, Bulgaria blvd. City General Business Center, building 2, floor 3, office 6 tel: +359 2 400 77 71, fax: +359 2 400 77 84</p>	<p>Registered office and factory Electrostart JSCo Bulgaria, Varshets 3540 2 Republika blvd tel: +359 2 400 70 11, fax: +359 2 400 70 12</p>
--	---